

# VRF Wire Controller Manual

Figure Number: SA-GZM01Eng-0  
Material Code: 802000190088

Please read this manual carefully before installation and install according to the instruction.

## I. Use-method

The control panel of wire controller is responsible for controlling the operation status of the system by the button and displaying the working status of the entire system by its LCD screen, and is responsible for communicating with the control board of the system.



Query Button

### Operation and Instruction:

#### "ON/OFF" Button:

- 1) Control the On/Off status of the system.
- 2) Press and hold the On/Off button when the wire controller is powered on, to go into the self-test mode. And then you can release the button.

#### "MODE" Button:

When the air conditioning is powered on, every time you press mode button or the mode button of remote controller, the mode will change in the following sequence.

Auto Mode→Refrigeration→Dehumidification→Heating→Ventilation→Auto Mode

#### "TEMP+" and "TEMP-" Button:

- 1) The setting temperature increases by 1°C when you press the "TEMP+" button for one time. When the setting temperature increases to 32°C, press this button again, and the setting temperature remains at 32°C constantly.
- 2) The setting temperature decreases by 1°C when you press the "TEMP-" button for one time. When the setting temperature decreases to 16°C, press this button again, and the setting temperature remains at 16°C constantly. Press the "TEMP+" and "TEMP-" button for 3s simultaneously to lock this button. At this time, It will display the locking icon in LCD. Deactivate this button, and press the "TEMP+" and TEMP- button again simultaneously.

#### "TIMER" Button

Set Timing On or Timing Off. The wire controller to set the time range as 1-24h.

- 1) Press the Timer button in the Off status to go into the Timing On for 1 hour, and then press the Timer button plus 1 until it is timing on for 24h. At this time, if you press the Timer button, it will deactivate Timing On.
- 2) Press the Timer button in the On status to go into the Timing Off for 1 hour, and then press the Timer button plus 1 until it is timing off for 24h. At this time, if you press the Timer button, it will deactivate Timing Off.

#### "FAN SPEED" Button:

- 1) The Fan Speed button is valid in the "Cooling mode", "Heating mode" and "Ventilation mode".
- 2) Press the Fan Speed button of the wire controller or the Volume button of the remote controller in the Cooling mode, Heating mode or Ventilation mode, and the volume changes as follows:

High speed → Middle speed → Low speed → Auto wind

#### "SWING" Button:

- 1) Press it to display the Swing icon. The Swing icon will swing back and forth.
- 2) Press the Swing button, and the upper and lower wind deflectors will swing within the specified range automatically, and the left and right wind deflectors will swing within the specified range automatically, and press it again to stop the swing.

#### Query Button Function:

Press the Query button, to display the address and model HP of the indoor unit for the first time, the power consumption of the indoor unit for the second time, T1 for the third time, T2 for the fourth time, T2B for the fifth time, T2 average temperature for the six time, opening of expansion valve for the seventh time and recovery the main page status for the eight time.

#### Description of DIP Switch:

	2 ON	2 OFF
3 ON	-4°C	-2°C
3 OFF	2°C	0°C
	ON	OFF
1	undefined	undefined
4	with power failure memory	without power failure memory

- 1) The second and third bits of the DIP switch will select the compensation value of the indoor temperature. The compensation value is -4°C when the second and third bits are ON, and the compensation value is 0°C when the second and third bits are OFF. The compensation value is 2°C when the second bit is ON and the third bit is OFF, and the compensation value is -2°C when the second bit is OFF and the third bit is On (for the wire controller sensor only).
- 2) The first bit of the DIP switch indicates to select the new or old protocol. VRF select the new protocol.
- 3) The fourth bit ON of the DIP switch indicates it is With Power Failure Memory function, and the fourth bit OFF indicates it is Without Power Failure Memory.

## II. Installation of Wire Controller

### Safety Precautions

- ! Read the safety precautions carefully before installation.
- ! The following is the important content to be paid for the safety, be sure to follow it.
- ! The meaning of each part:

<b>Warning:</b>	Indicate it may cause the death or serious injury for the improper operation.
<b>Note:</b>	Indicate it may cause the death or serious injury for the improper operation.

- ! After the completion of the installation, confirm there is no abnormality for the commissioning, and deliver the instruction to customers for storage.

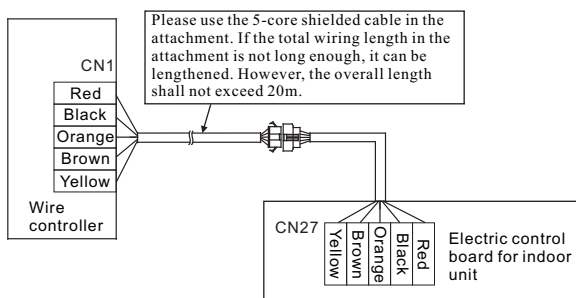
#### Warning:

- ☛ Entrust your dealer or professional personnel for the installation. Other personnel for the installation may cause the improper installation, which will result in the electric shock or fire hazard.
- ☛ Follow this instruction for installation strictly. The improper installation may cause the electric shock or fire hazard.
- ☛ It is necessary for the professional personnel to install the equipment again. If the installation is improper, it may cause the electric shock or fire hazard.
- ☛ Don't disassemble it at random. Otherwise, it may result in the abnormal operation and heating of the air conditioner and cause the fire hazard.

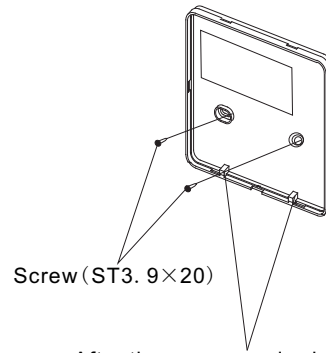
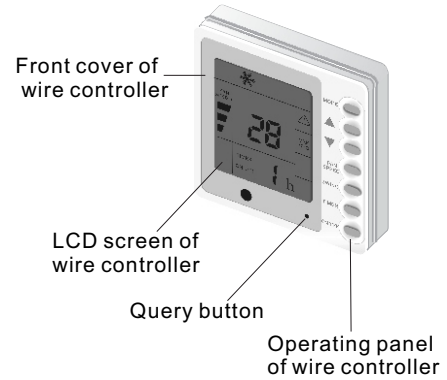
#### Notes:

- ☛ It shall not be installed in which the flammable gas may leak. Once the flammable gas leaks, it will retard around the wire controller and may cause the fire hazard.
- ☛ The wiring shall match with the current of the wire controller. Otherwise, it may cause the leakage or heating, or even cause the fire hazard.
- ☛ The wiring shall take the specified cable, and the connector terminal shall not be exerted by the external force. Otherwise, it may cause the wire break or heating, and cause the fire hazard.

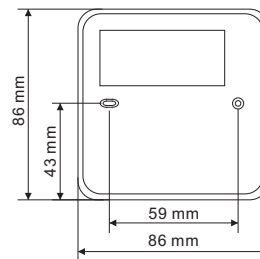
### Wiring Methods and Schematics



Connect the wire controller in the way as shown in the figure above.



After the rear cover is closed during the installation, clamp this end before you press another end when you close the front cover to close the wire controller.



#### Note:

- ☛ It may cause the rear cover deformed if the screw is tightened too much.
- ☛ It is necessary to reserve a certain length for the connecting cable of the wire controller during the installation, so as to take down the wire controller for the maintenance.