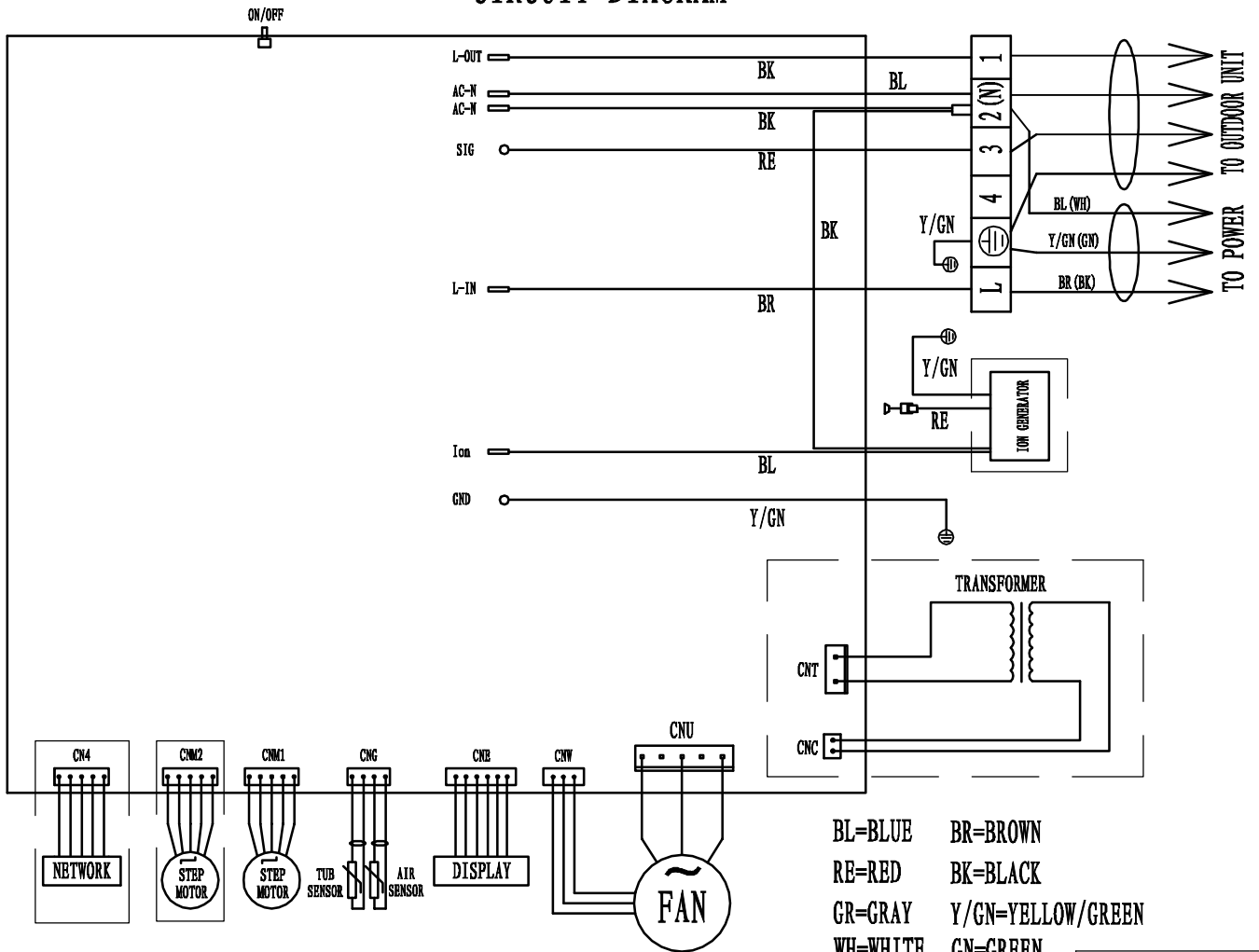


# CIRCUIT DIAGRAM



A050205000148-R0