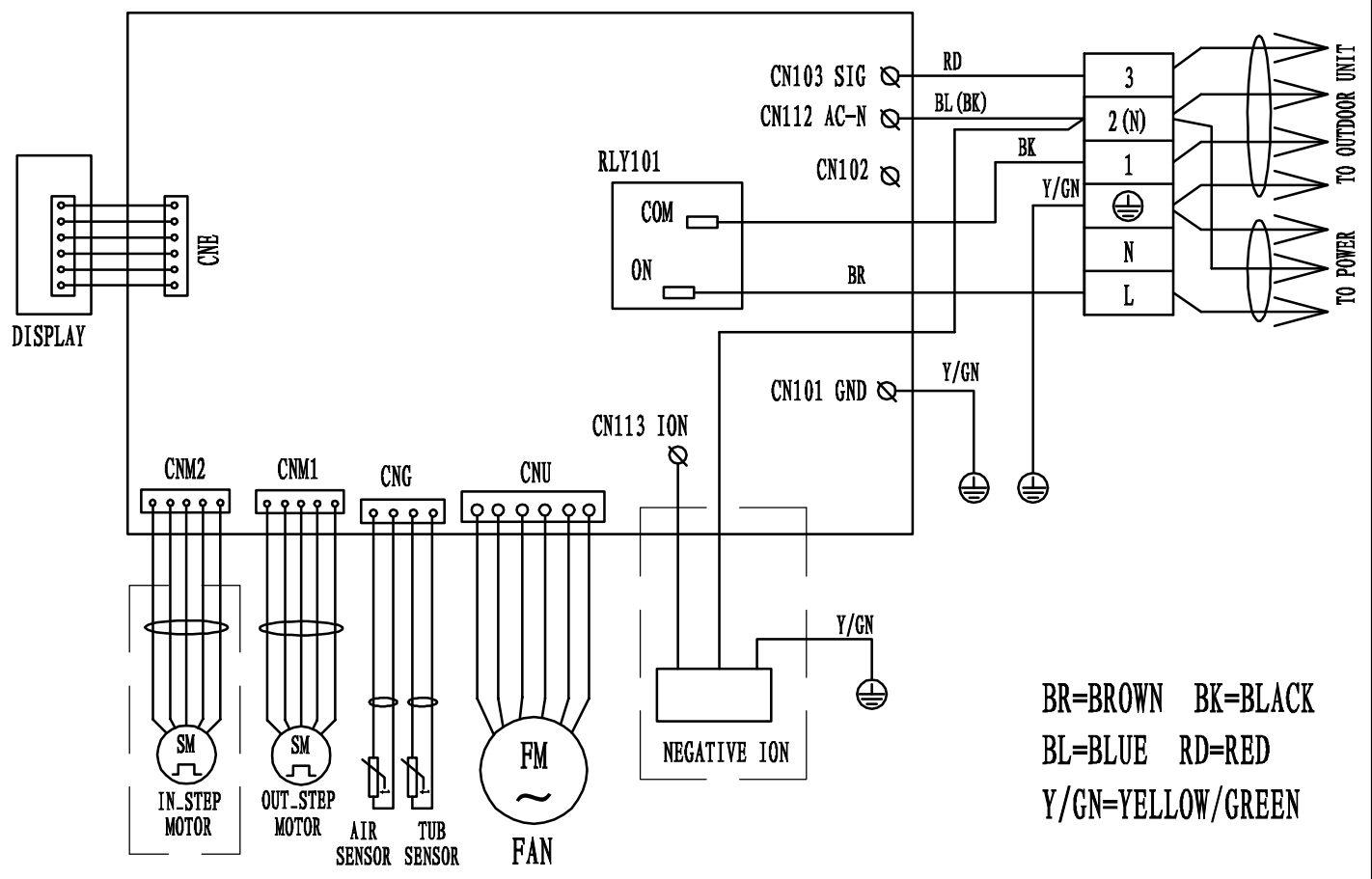


CIRCUIT DIAGRAM



BR=BROWN BK=BLACK
 BL=BLUE RD=RED
 Y/GN=YELLOW/GREEN

A050205000041-R0